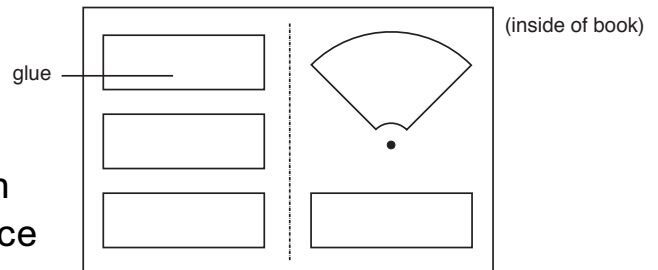
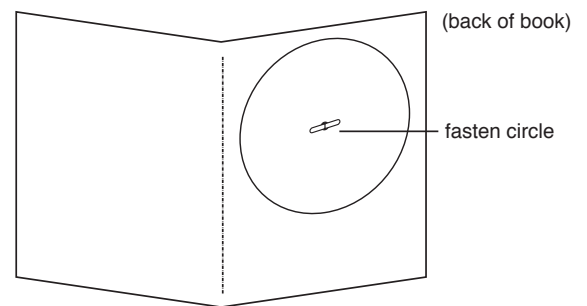
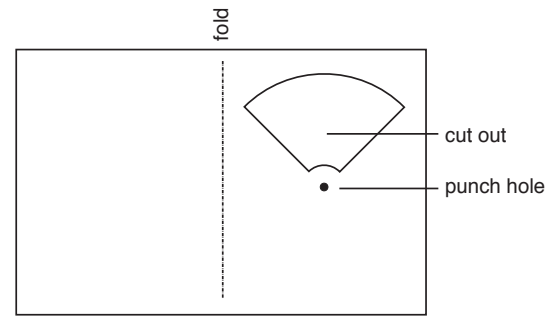


Materials

- *Season to Season* BLM 2 and BLM 3
- 8 1/2" x 11" white tagboard
- 11" x 17" tagboard, assorted colors
- brass fastener
- scissors, glue, crayons
- 3" x 7" writing paper (4 sheets per child)

Directions

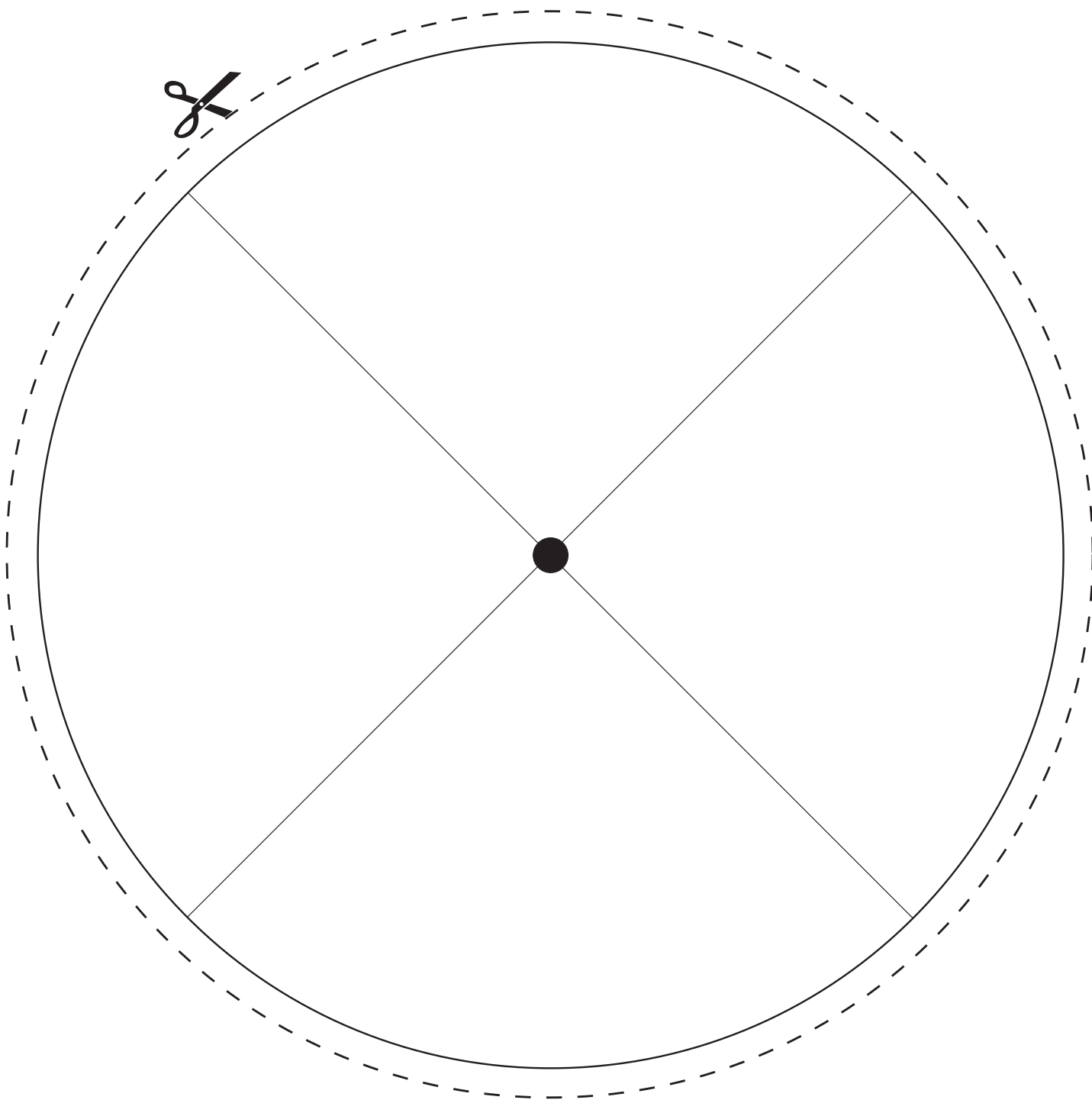
1. Use BLM 2 as a template to make a circle on white tagboard. Cut it out. Illustrate each wedge to represent the four seasons
2. Fold a piece of colored tagboard in half. Use BLM 3 as a template. Trace the wedge shape to show where to position the cutout on the inside back cover of the tagboard book. Mark the hole for the brass fastener.
3. Cut out the wedge hole.
4. Attach the circle with brass fastener to the back of the book.
5. Glue the writing papers to the inside front cover of the book.
6. Write a title and illustrate the cover of the wheel book.



Language Activity

Children write about and illustrate their own activities during each of the four seasons.

Child's Name: _____



Child's Name: _____

